

**6 Lamp  
T8 OR T5HO**

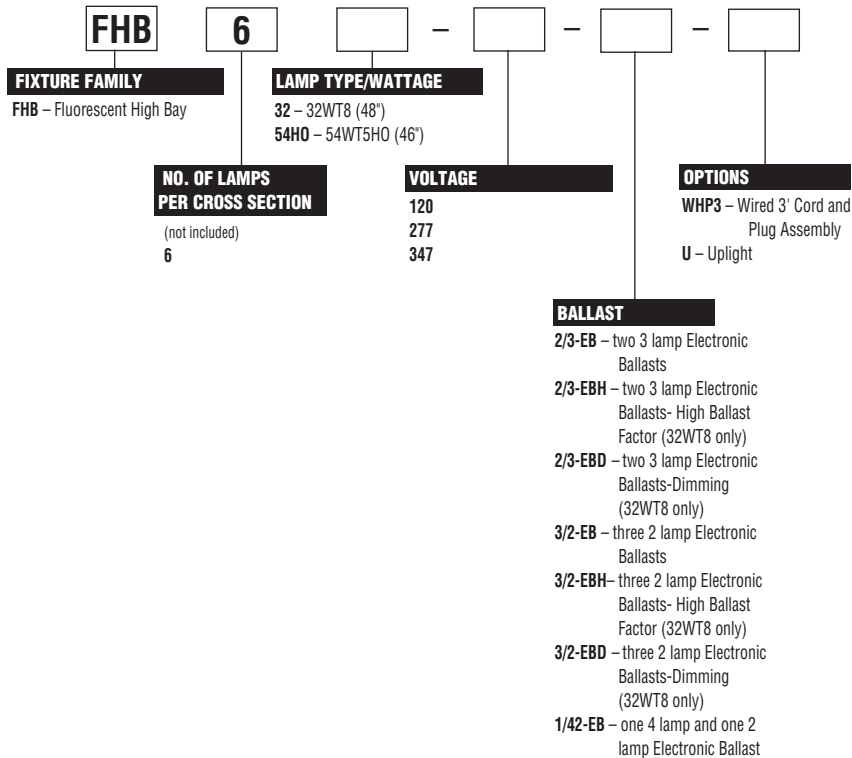
**CONSTRUCTION/FINISH**

- High reflectance white baked enamel finish.
- Heavy duty channel of code gauge die formed steel.
- Specular aluminum reflectors.
- Quarter turn latch secures channel cover for easy wireway access.
- Includes FKR126 chain hanger set.
- Uplight optional.

**ELECTRICAL**

- UL listed for damp locations. Canadian certified optional.
- Class P, HPF ballasts comply with ©Federal Ballast Law (Public Law 100-357, 1988).
- Energy saving electronic ballasts are standard.
- Self-contained fluorescent emergency power pack can be incorporated.

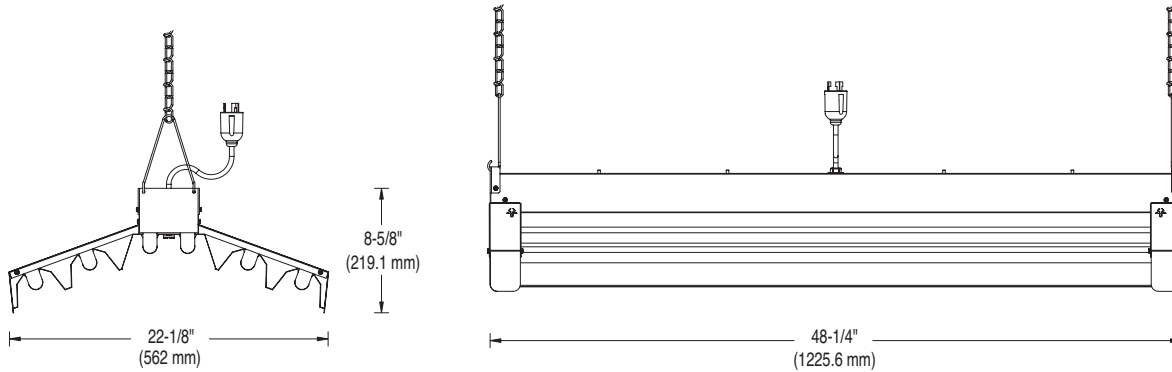
**CATALOG NUMBER**



# FLUORESCENT HIGH BAY



## DIMENSIONS



### PHOTOMETRIC DATA

CATALOG # FHB632-2/3EBH  
TEST # 22980 S/MH=1.4

LAMPS = F32T8  
BALLAST = ADVANCE REL-3P32-HL

INPUT WATTS = 222  
BALLAST FACTOR = 1.20

LER = FI-78

COMPARATIVE YEARLY LIGHTING ENERGY COST PER 1000 LUMENS = \$3.08 BASED ON 3000 HRS. AND \$.08 PER KWH.

FIXTURE EFFICIENCY= 83.9%

CANDLEPOWER			
Angle	End	45	Cross
0	4576	4576	4576
5	4583	4583	4539
15	4406	4591	4642
25	4068	4437	4595
35	3610	4192	4334
45	3031	3673	3433
55	2326	2688	2306
65	1587	1618	1710
75	833	981	838
85	221	260	176
95	12	15	5
105	12	8	6
115	20	6	5
125	31	6	6
135	44	10	9
145	53	15	13
155	61	22	18
165	70	33	30
175	76	59	49

MAINTAINED ILLUMINATION TABLE- Square Feet/Fixture*						
<ul style="list-style-type: none"> <li>80-50-20 Reflectances (Ceiling-Wall-Floor)</li> <li>LLF = 1.03 2850 Lumens/Lamp (very clean)</li> <li>Room width divided by room height = 5 or more, 2 or 1</li> </ul>						
Fixture Size & # of Lamps	Room Width Room Height =	Approx. Area (sq. ft.) per Fixture				
		10 ft-c	30 ft-c	50 ft-c	70 ft-c	100 ft-c
4' 6-Lamp	5	-	-	-	-	-
	2	-	-	-	148	103
	1	-	-	-	107	75

\*Observe Fixture S/MH Requirements for Specific Applications

AVERAGE LUMINANCE CD/SQ.M WITH 13500 LUMEN LAMPS			
ANGLE	END	45°	CROSS
45	5859	6190	5807
55	5291	5094	4391
65	4554	3628	3858
75	3375	2797	2409
85	1605	1062	728

TYPICAL V.C.P.'s				
Room Size	Mounting Height			
	Lengthwise	Crosswise		
	8.5	10	8.5	10
30x30	37	39	43	45
40x40	37	37	45	44
60x30	43	44	47	47
60x60	38	37	47	45
100x100	41	39	52	50

LLF = 1.03 LLF = LIGHT LOSS FACTOR LLF = LDD X LLD X BF LDD = VERY CLEAN 0.94  
LLD = 0.91 @ 40% RATED LAMP LIFE BF = 1.20 ADVANCE REL-3P32-HL & F32T8 LAMP (RELAMP AT 70% LAMP LIFE)

COEFFICIENT OF UTILIZATION						
pfc pcc pw RCR	20		70		50	
	70	50	30	70	50	30
0	100	100	100	96	96	96
1	91	86	82	89	84	81
2	82	76	69	81	73	68
3	75	67	59	72	65	58
4	68	58	51	67	57	51
5	63	53	45	61	52	44
6	57	46	40	56	46	39
7	54	42	34	53	41	34
8	50	39	32	48	38	30
9	46	35	28	46	34	28
10	44	33	26	42	32	26

LIGHT DISTRIBUTION			
DEGREES	LUMENS	% LAMP	% FIXTURE
0-30	3764	22.0	26.2
0-40	6335	37.0	44.1
0-60	11312	66.2	78.8
0-90	14250	83.3	99.3
90-180	100	0.6	0.7
0-180	14349	83.9	100.0